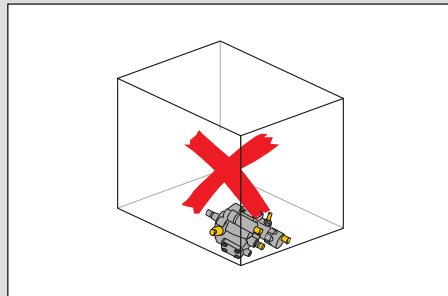
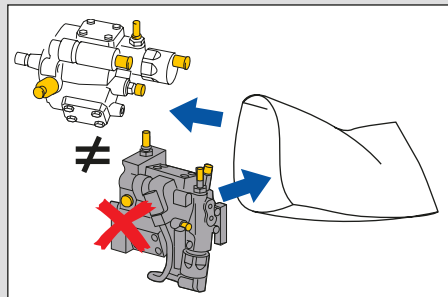
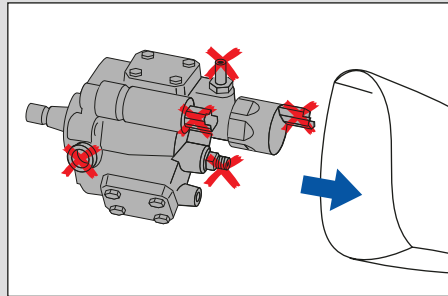
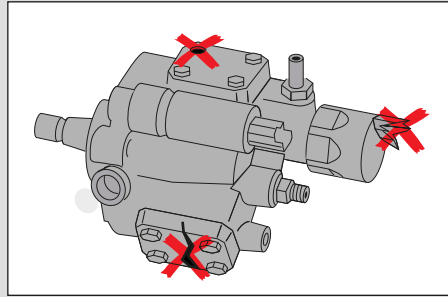
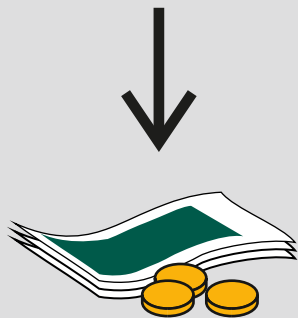
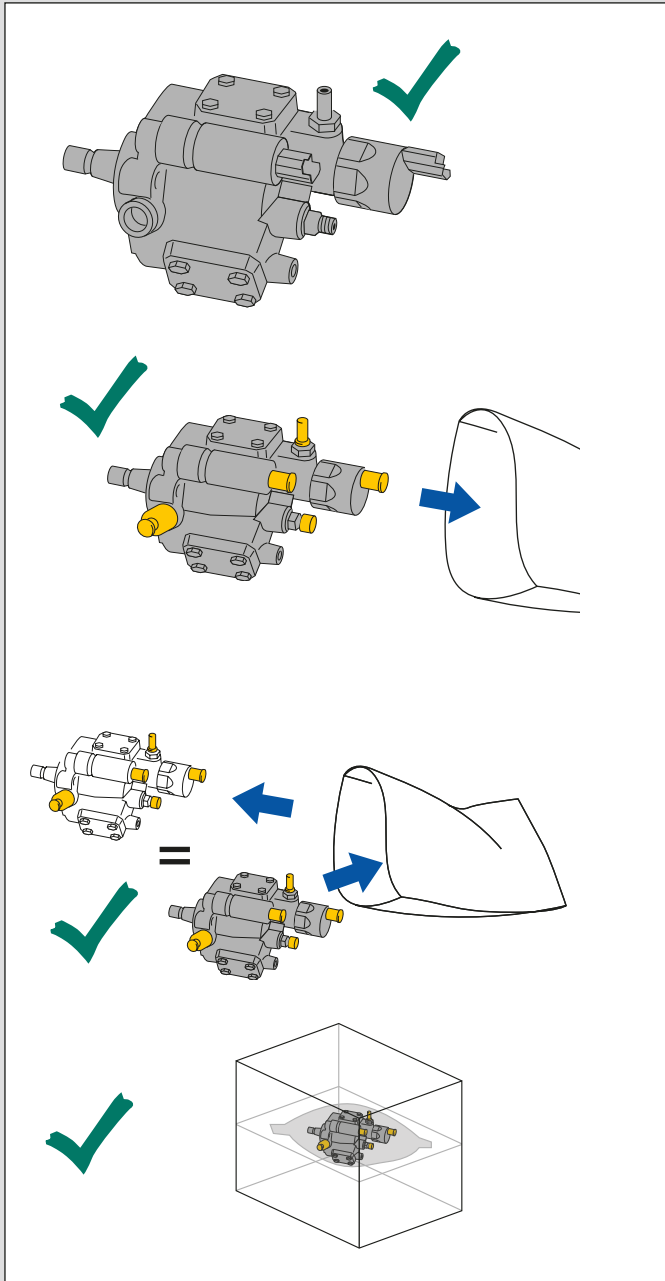


VDO is a trademark of the Continental Corporation. We reserve the right to make changes in availability as well as technical changes without prior notice.



VDO is a trademark of the Continental Corporation. We reserve the right to make changes in availability as well as technical changes without prior notice.